

ELPRO ATS-125A 1-3 phase 230/400V

AUTOMATIC TRANSFER SWITCH



DESCRIPTION

The ATS-125A changeover switch is designed to transfer loads automatically from one power source to another in a wide variety of 1-3 phase applications.

FEATURES

- ✓ Solenoid activated fast switching;
- ✓ 1-3 phase operation;
- ✓ High reliability due to stable positions of the change-over mechanism energized during switching process only;
- ✓ Front side position indication pointer and external lamp outputs;
- ✓ Built-in mechanical and electrical interlocking;
- ✓ Simple connection without external jumpers.

TECHNICAL SPECIFICATIONS

- Voltage: 230/400V 50-60Hz.
- Phases: 1-3
- Switching poles: 4
- Phase current: up to 125A
- Working temperature range: от -5°C до +40°C
- Humidity: up to 50%
- Installation type: vertical
- Switching current: up to 3.5A
- Switching time: 200 ms
- Weight: 4.2 kg
- Dimensions: 280x165x115 mm

INPUTS AND OUTPUTS

- Mains inputs: R, S, T phases+ Neutral
- Generator inputs: R, S, T phases+ Neutral
- Load outputs: R, S, T phases+ Neutral
- External indication lamp outputs (NO+NC);
- Load outputs: R, S, T + Neutral

OPERATION

Device monitors mains and generator control phase voltage.

In case if there is the mains control phase voltage (marked as "T"), the device connects the load circuits to the mains inputs.

If the mains control phase voltage is lost, the device comes to a waiting mode keeping the load circuits connected to the mains inputs.

In case if, there is the generator control phase voltage (marked as "T") while mains control phase voltage is absent, the device switches the load circuits to the generator inputs.

If the generator control phase voltage is lost, the device comes to a waiting mode keeping the load circuits connected to the generator inputs.

In case if the mains control phase voltage (marked as "T") is recovered, the device connects the load circuits to the mains inputs independently on having the generator control phase voltage or not.

Mains inputs always have priority.

INSTALLATION AND CONNECTION

The device should be installed in a power control cabinet. The device frame must be grounded.

Please make all necessary connections according to the diagram below.

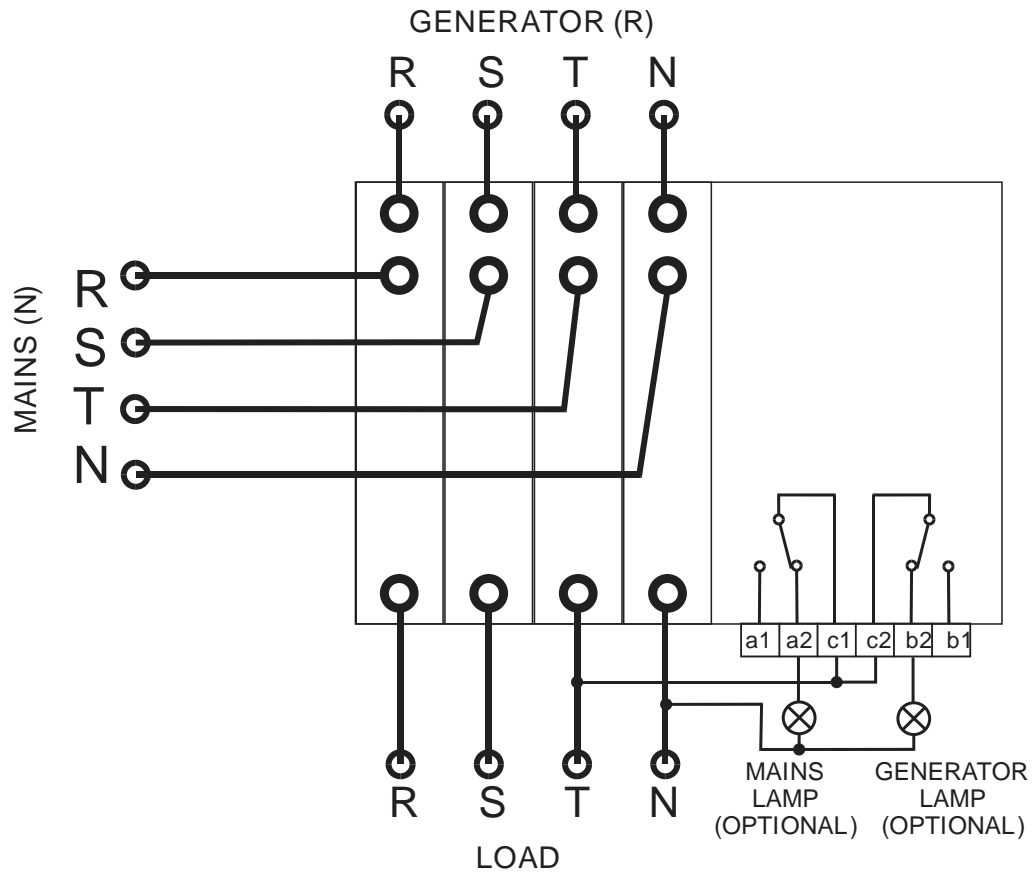
In case if the unit is used in single- or two-phase application, it is important to have the control phase inputs (phase marked as "T") connected to one of active mains and generator phase accordingly. Otherwise, the device will not switch automatically.

TROUBLESHOOTING

In case if the device does not switch automatically, please check these items:

- Voltage on the device control phases and other phases;
- Neutral wire connections.

CONNECTION DIAGRAM



DIMENSIONS

